



## 1-pc. ball valve, PN 40 Mod. A590T

reduced bore

Body: mat. 1.4408

Body Insert, ball, stem: mat. 1.4401

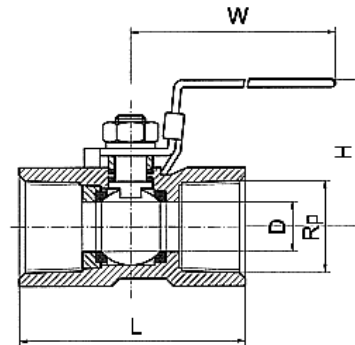
Gland Nut, washer, nut: mat. 1.4301

Ball seat: RTFE

Packings, gland: PTFE

Handle: mat. 1.4301 with plastic cover

Temperature range - 20° C to max. 200° C



DN	Rp	L	H	W	D	weight/kg/pcs.
8	1/4"	39	30	70	5,0	0,07
10	3/8"	44	34	90	6,8	0,11
15	1/2"	57	41	100	9,2	0,17
20	3/4"	58	44	100	12,5	0,25
25	1"	71	50	110	15,0	0,43
32	1 1/4"	78	55	110	20,0	0,70
40	1 1/2"	83	64	135	25,0	0,85
50	2"	100	70	145	32,0	1,50

Dimensions subject to change without notice, all dimensions in mm.

