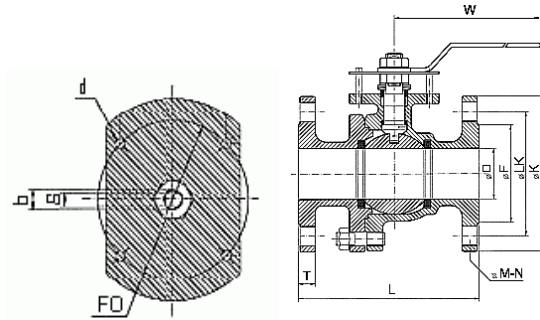


2-pc. Flanged Ball Valve, PN 10/16 Mod. A660

full bore
 lengths: DIN 3202/ F4/ F5
 temperature range: -20°C to max. 180°C
 Anti-blow-out stem
 Antistatic device Fire safe design
 in flow direction
 Body, ball: Mat. 1.4408
 Stem: Mat. 1.4401
 Washer, bolts, stop plate: Mat. 1.4301
 Gaskets, gland packing: PTFE
 Ball seat: RTFE
 Handle: Mat. 1.4301 with plastic cover



L		PN 10						PN 16													
DN	F4	F5	F	LK	K	T	M	N	F	LK	K	T	M	N	D	W	G	FO	d	Torque(Nm)	Weight/kg
15	115	-	see PN 16						45	65	95	14	14	4	15	142	12x9,0	42	4xM5	6,9	2,7
20	120	-							58	75	105	16	16	4	20	142	12x9,0	42	4xM5	10,4	3,1
25	125	120							68	85	115	16	16	4	25	142	16x12,0	50	4xM6	17,0	4,3
32	130	140							78	100	140	16	18	4	32	142	16x12,0	50	4xM6	23,0	6,2
40	140	240							88	110	150	16	18	4	40	200	18x13,0	70	4xM8	42,0	8,1
50	150	250							102	125	165	18	18	4	50	200	18x13,0	70	4xM8	62,0	10,0
65	170	270							122	145	185	18	18	4	65	200	18x13,0	70	4xM8	79,0	14,0
80	180	280							138	160	200	20	18	8	80	350	24x18,0	102	4xM10	96,0	18,5
100	190	300							158	180	220	20	18	8	100	350	24x18,0	102	4xM10	170,0	26,6
125	200	325							188	210	250	22	18	8	125	760	35x28,5	125	4xM12	275,0	41,0
150	210	350							212	240	285	22	23	8	150	760	35x28,5	125	4xM16	340,0	73,3
200	230	400							268	295	340	24	23	8	200	760	45x32,0	140	4xM18	940,0	155,0
250	250	450							320	350	395	26	23	12	250	1000	56x40,0	165	4xM20	1921,0	233,0

FO = bolt circle diameter ISO 5211 (DIN 3337)

Dimensions subject to change without notice, all dimensions in mm.

