

2 pcs Ball Valve, PN 64/40* Mod. A621T

full bore

* 1/4"-2" PN 64

2 1/2"-3" PN 40

Body , body cap, ball: W.Nr. 1.4408

Stem: W.Nr. 1.4401

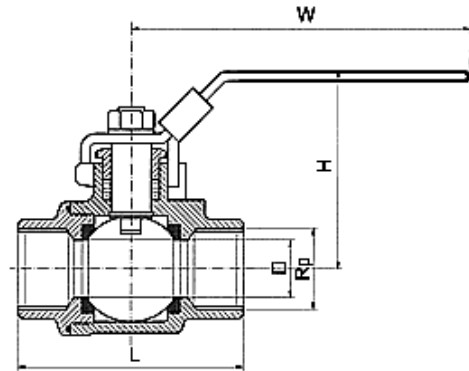
Gland Nut, washer, nut: W.Nr. 1.4301

Ball seat, thrust packing: RTFE

Packing, Gland: PTFE

Handle: mat. 1.4301 with plastic cover

Temperature range - 20° C to max. 200° C



DN	Rp	L	H	W	D	Torque (Nm)	weight/kg/pcs
8	1/4"	49	50	95	12,8	6,9	0,28
10	3/8"	49	50	95	12,8	6,9	0,28
15	1/2"	57	55	95	15,0	6,9	0,44
20	3/4"	76	59	110	20,0	6,9	0,55
25	1"	88	73	135	25,0	10,4	0,96
32	1 1/4"	98	78	135	32,0	12,7	1,44
40	1 1/2"	120	91	165	38,0	20,7	2,28
50	2"	134	97	165	50,0	28,8	3,60
65	2 1/2"	168	130	215	65,0	41,4	7,60
80	3"	180	142	215	80,0	55,2	11,20

Dimensions subject to change without notice, all dimensions in mm.

