

3-pc. Ball Valve PN 64/40* Mod. A641T

screwed ends

full bore

* 1/4"-2" PN 64

2 1/2"-3" PN 40

Body, body cap: mat. 1.4408

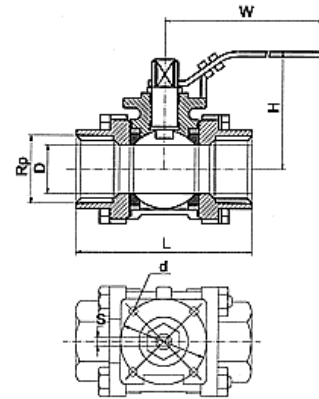
Ball, stem: mat. 1.4401

Gland nut, washer, bolt, nut: mat. 1.4301

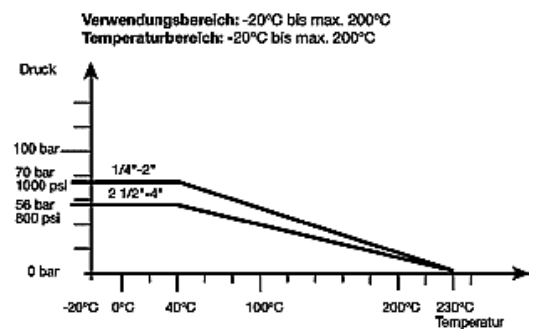
Ball seat, thrust packing: RTFE

Other packing, gland : PTFE

Handle: mat. 1.4301 with plastic cover



| DN | Rp | L | H | W | D | Torque (Nm) | weight/kg/pcs |
|-----|--------|-----|-----|-----|-------|-------------|---------------|
| 8 | 1/4" | 59 | 51 | 95 | 12,8 | 6,9 | 0,37 |
| 10 | 3/8" | 59 | 51 | 95 | 12,8 | 6,9 | 0,38 |
| 15 | 1/2" | 64 | 55 | 95 | 15,0 | 6,9 | 0,62 |
| 20 | 3/4" | 75 | 59 | 110 | 20,0 | 10,4 | 0,83 |
| 25 | 1" | 85 | 73 | 135 | 25,0 | 17,3 | 1,25 |
| 32 | 1 1/4" | 97 | 78 | 135 | 32,0 | 23,0 | 1,90 |
| 40 | 1 1/2" | 110 | 91 | 165 | 38,0 | 28,8 | 2,66 |
| 50 | 2" | 132 | 99 | 165 | 50,0 | 36,8 | 4,26 |
| 65 | 2 1/2" | 167 | 130 | 215 | 65,0 | 57,5 | 8,63 |
| 80 | 3" | 187 | 142 | 215 | 80,0 | 69,0 | 12,49 |
| 100 | 4" | 230 | 174 | 310 | 100,0 | 92,0 | 22,33 |



Dimensions subject to change without notice, all dimensions in mm.

